

ZASTOSOWANIE

Wentylatory TCDH odpowiadają wymaganiom Dyrektywy ATEX 2014/34/UE, są zaprojektowane do użytku w strefach zagrożenia wybuchem poza kopalniami i wyrobiskami górniczymi. Spełniają wymogi grupy II kategorii 2G-strefa 1. Oznaczenie: ATEX II 2G c IIB+H₂ T4.

KONSTRUKCJA

- wirnik z blachy stalowej ocynkowanej z łopatkami pochylonymi do tyłu,
- podstawa z blachy stalowej ocynkowanej,
- czasza z blachy stalowej ocynkowanej,
- wlot mosiężny,
- siatka ochronna (zgodna z EN ISO 13857),
- temperatura pracy od -20°C do +40°C.

SILNIK ELEKTRYCZNY

- przeciwybuchowy, trójfazowy 230/400V, 50Hz,
- stopień ochrony IP55,
- klasa izolacji F,
- zabezpieczenie termiczne PTC,
- przystosowany do regulacji częstotliwościowej.



WWW

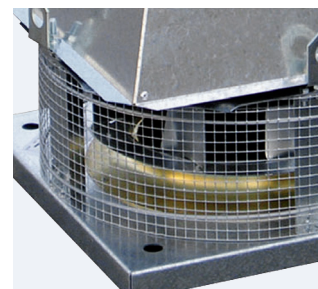


CE



Łatwy montaż

Uchwyty ułatwiające montaż na dachu



Siatka ochronna



Wirnik z łopatkami pochylonymi do tyłu

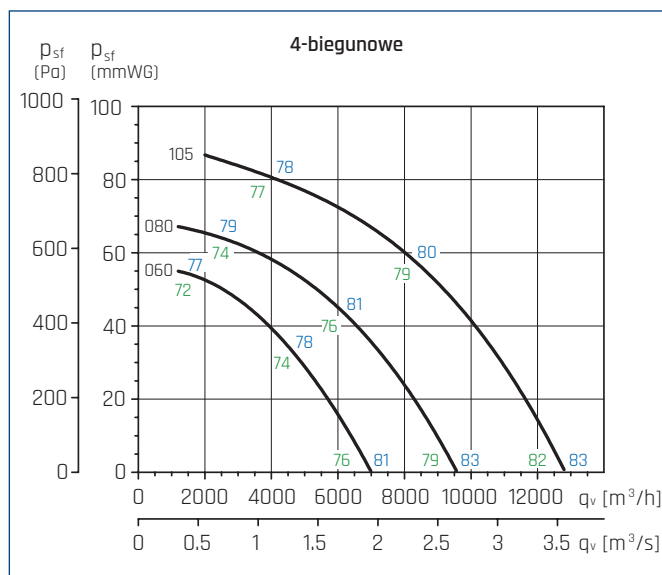
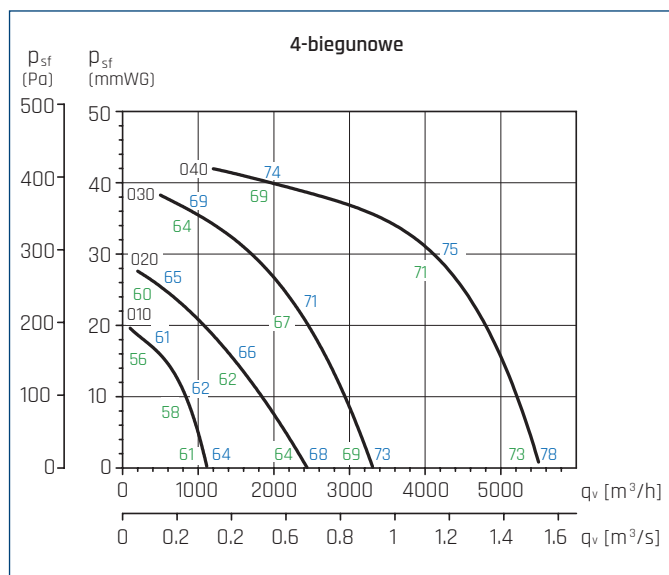
Zapobiega zbieraniu się brudu

DANE TECHNICZNE

| Typ | prędkość obrotowa | moc silnika | natężenie | wydajność | poziom ciśnienia akust. | | masa | regulator | nr artykułu |
|----------------|-------------------|-------------|-----------|-----------|-------------------------|-------|------|------------------|-------------|
| | [obr/min] | [kW] | [A] | [m³/h] | wlot | wylot | [kg] | | |
| | | | | | [dB(A)] | | | | |
| TCDH Exd 010-4 | 1500 | 0,25 | 1,2 | 1120 | 58 | 62 | 22 | Falownik 0,75 kW | 43523501 |
| TCDH Exd 020-4 | 1500 | 0,25 | 1,2 | 2450 | 62 | 66 | 25 | Falownik 0,75 kW | 43523521 |
| TCDH Exd 030-4 | 1500 | 0,37 | 1,5 | 3300 | 67 | 71 | 32 | Falownik 0,75 kW | 43523541 |
| TCDH Exd 040-4 | 1500 | 0,55 | 1,7 | 5500 | 71 | 75 | 35 | Falownik 0,75 kW | 43523551 |
| TCDH Exd 060-4 | 1500 | 0,75 | 2,2 | 7000 | 74 | 78 | 57 | Falownik 0,75 kW | 43523561 |
| TCDH Exd 080-4 | 1500 | 1,5 | 4 | 9600 | 76 | 81 | 68 | Falownik 2,2 kW | 43523571 |
| TCDH Exd 105-4 | 1500 | 2,2 | 5,2 | 12800 | 79 | 84 | 90 | Falownik 2,2 kW | 43523583 |
| TCDH Exd 020-6 | 1000 | 0,18 | 1 | 1650 | 52 | 56 | 25 | Falownik 0,4 kW | 43523523 |
| TCDH Exd 030-6 | 1000 | 0,18 | 1 | 2200 | 57 | 61 | 32 | Falownik 0,4 kW | 43523546 |
| TCDH Exd 040-6 | 1000 | 0,25 | 1,4 | 3700 | 61 | 65 | 35 | Falownik 0,75 kW | 43523553 |
| TCDH Exd 060-6 | 1000 | 0,25 | 1,4 | 4700 | 64 | 68 | 57 | Falownik 0,75 kW | 43523563 |
| TCDH Exd 080-6 | 1000 | 0,37 | 1,6 | 6500 | 66 | 71 | 68 | Falownik 0,75 kW | 43523573 |
| TCDH Exd 105-6 | 1000 | 0,75 | 2,4 | 8700 | 68 | 73 | 90 | Falownik 0,75 kW | 43523585 |
| TCDH Exd 110-6 | 1000 | 1,1 | 3,4 | 11000 | 72 | 77 | 96 | Falownik 1,5 kW | 43523591 |
| TCDH Exd 140-6 | 1000 | 2,2 | 5,4 | 16000 | 75 | 81 | 110 | Falownik 2,2 kW | 43523601 |
| TCDH Exd 195-6 | 1000 | 3 | 8,5 | 22500 | 78 | 83 | 126 | Falownik 4,0 kW | 43523613 |
| TCDH Exd 250-6 | 1000 | 5,5 | 14 | 25500 | 81 | 86 | 150 | Falownik 7,5 kW | 43523621 |
| TCDH Exd 060-8 | 750 | 0,12 | 0,85 | 3400 | 55 | 60 | 57 | Falownik 0,4 kW | 43523565 |
| TCDH Exd 080-8 | 750 | 0,18 | 1,15 | 4800 | 59 | 63 | 68 | Falownik 0,4 kW | 43523575 |
| TCDH Exd 105-8 | 750 | 0,37 | 1,5 | 6400 | 61 | 66 | 90 | Falownik 0,75 kW | 43523580 |
| TCDH Exd 110-8 | 750 | 0,55 | 2,1 | 8200 | 64 | 69 | 96 | Falownik 0,75 kW | 43523593 |
| TCDH Exd 140-8 | 750 | 1,1 | 4,1 | 12100 | 68 | 73 | 110 | Falownik 2,2 kW | 43523603 |
| TCDH Exd 195-8 | 750 | 1,5 | 4,8 | 17000 | 71 | 76 | 126 | Falownik 2,2 kW | 43523611 |
| TCDH Exd 250-8 | 750 | 3 | 8,7 | 19200 | 74 | 79 | 150 | Falownik 4,0 kW | 43523623 |

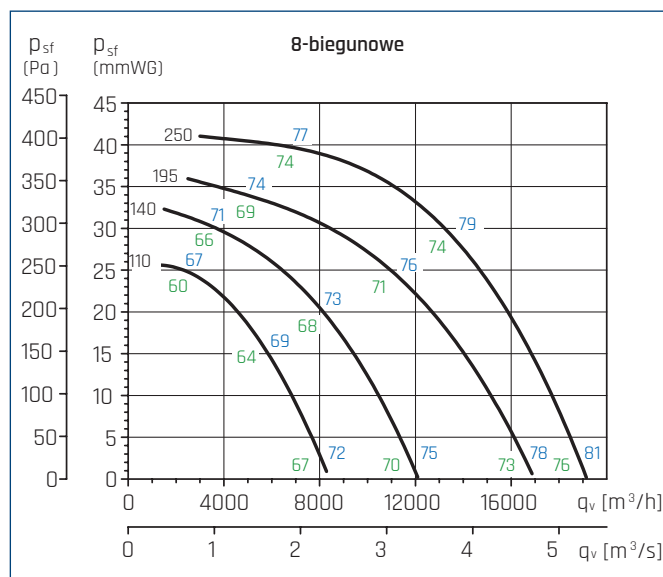
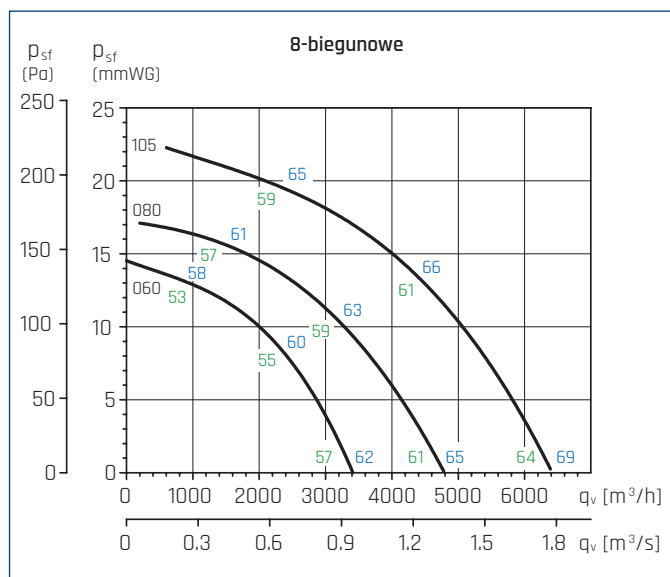
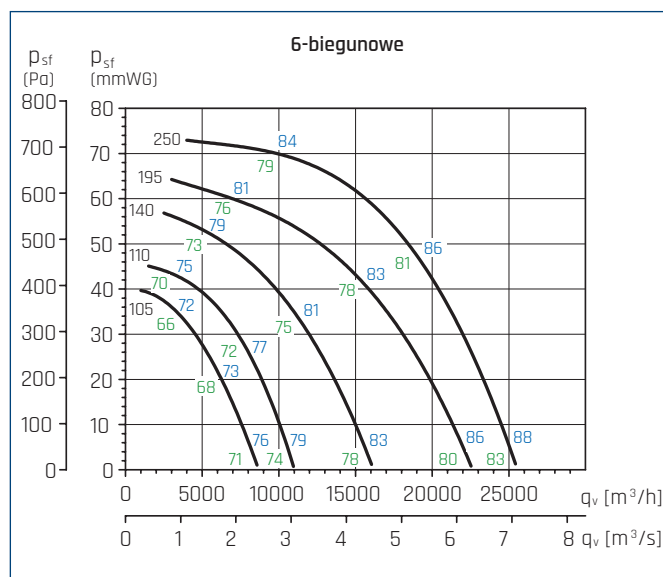
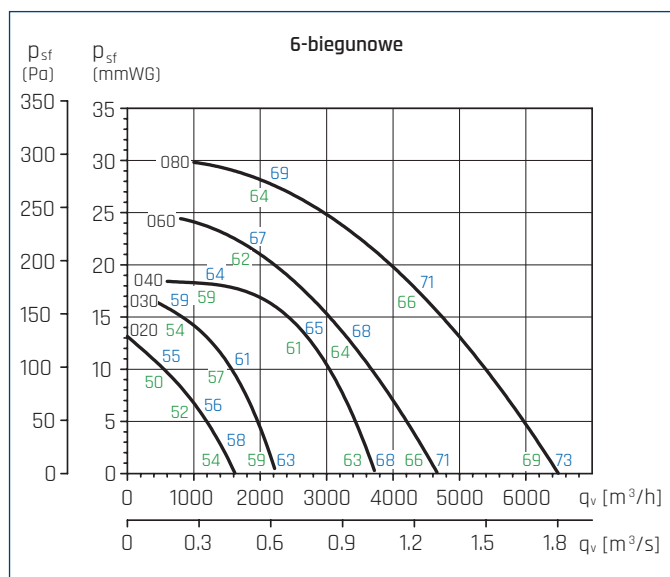
CHARAKTERYSTYKI PRACY

- q_v : wydajność w m³/h i m³/s
- p_{sf} : ciśnienie statyczne w mmWG i Pa
- poziomy ciśnienia akustycznego w dB(A) mierzony w wolnej przestrzeni z odległości 1,5m, na wlocie (wartości zielone), na wylocie (wartości niebieskie)



CHARAKTERYSTYKI PRACY

- q_v : wydajność w m^3/h i m^3/s
- p_{sf} : ciśnienie statyczne w mmWG i Pa
- poziom ciśnienia akustycznego w dB(A) mierzony w wolnej przestrzeni z odległości 1,5m, na wlocie (wartości zielone), na wylocie (wartości niebieskie)



CHARAKTERYSTYKA AKUSTYCZNA

| 010-4 | Hz/dB(A) | 63 | 125 | 250 | 500 | 1000 | 2000 | 4000 | 8000 |
|-----------|----------|----|-----|-----|-----|------|------|------|------|
| 1000 m³/h | Wlot | 38 | 51 | 65 | 68 | 65 | 62 | 60 | 57 |
| | Wylot | 42 | 55 | 67 | 71 | 70 | 69 | 67 | 64 |
| 600 m³/h | Wlot | 36 | 49 | 61 | 66 | 63 | 61 | 58 | 54 |
| | Wylot | 39 | 53 | 65 | 68 | 68 | 67 | 64 | 60 |
| 400 m³/h | Wlot | 35 | 48 | 61 | 63 | 62 | 58 | 55 | 49 |
| | Wylot | 40 | 53 | 65 | 68 | 67 | 66 | 64 | 59 |

| 020-4 | Hz/dB(A) | 63 | 125 | 250 | 500 | 1000 | 2000 | 4000 | 8000 |
|-----------|----------|----|-----|-----|-----|------|------|------|------|
| 2400 m³/h | Wlot | 48 | 64 | 70 | 69 | 68 | 67 | 66 | 63 |
| | Wylot | 51 | 66 | 71 | 74 | 74 | 73 | 71 | 68 |
| 1500 m³/h | Wlot | 46 | 61 | 68 | 67 | 67 | 65 | 63 | 58 |
| | Wylot | 49 | 64 | 69 | 73 | 72 | 70 | 67 | 63 |
| 800 m³/h | Wlot | 46 | 60 | 66 | 66 | 64 | 62 | 59 | 53 |
| | Wylot | 50 | 64 | 68 | 71 | 71 | 70 | 66 | 61 |

| 030-4 | Hz/dB(A) | 63 | 125 | 250 | 500 | 1000 | 2000 | 4000 | 8000 |
|-----------|----------|----|-----|-----|-----|------|------|------|------|
| 3400 m³/h | Wlot | 53 | 68 | 75 | 74 | 73 | 71 | 70 | 67 |
| | Wylot | 56 | 71 | 76 | 79 | 79 | 78 | 76 | 73 |
| 2000 m³/h | Wlot | 51 | 65 | 73 | 71 | 71 | 70 | 67 | 63 |
| | Wylot | 54 | 69 | 74 | 78 | 77 | 75 | 72 | 68 |
| 1000 m³/h | Wlot | 50 | 65 | 70 | 70 | 69 | 66 | 63 | 58 |
| | Wylot | 54 | 69 | 73 | 76 | 75 | 74 | 70 | 65 |

| 040-4 | Hz/dB(A) | 63 | 125 | 250 | 500 | 1000 | 2000 | 4000 | 8000 |
|-----------|----------|----|-----|-----|-----|------|------|------|------|
| 5400 m³/h | Wlot | 57 | 72 | 79 | 78 | 77 | 75 | 74 | 71 |
| | Wylot | 60 | 76 | 80 | 84 | 83 | 82 | 80 | 77 |
| 4000 m³/h | Wlot | 55 | 69 | 77 | 76 | 75 | 74 | 72 | 67 |
| | Wylot | 58 | 73 | 78 | 82 | 81 | 79 | 76 | 72 |
| 2000 m³/h | Wlot | 55 | 69 | 75 | 75 | 73 | 71 | 68 | 62 |
| | Wylot | 59 | 73 | 77 | 80 | 80 | 79 | 75 | 70 |

CHARAKTERYSTYKA AKUSTYCZNA

| 060-4 | Hz/dB(A) | 63 | 125 | 250 | 500 | 1000 | 2000 | 4000 | 8000 |
|-----------|----------|----|-----|-----|-----|------|------|------|------|
| 6500 m³/h | Wlot | 60 | 75 | 82 | 81 | 80 | 78 | 77 | 74 |
| | Wylot | 63 | 79 | 83 | 87 | 86 | 85 | 83 | 80 |
| 4000 m³/h | Wlot | 58 | 72 | 80 | 78 | 78 | 77 | 74 | 70 |
| | Wylot | 61 | 76 | 81 | 85 | 84 | 82 | 79 | 75 |
| 2000 m³/h | Wlot | 57 | 72 | 78 | 78 | 76 | 74 | 70 | 65 |
| | Wylot | 62 | 76 | 80 | 83 | 83 | 82 | 78 | 73 |

| 105-4 | Hz/dB(A) | 63 | 125 | 250 | 500 | 1000 | 2000 | 4000 | 8000 |
|------------|----------|----|-----|-----|-----|------|------|------|------|
| 12500 m³/h | Wlot | 65 | 81 | 88 | 86 | 85 | 84 | 83 | 80 |
| | Wylot | 69 | 85 | 89 | 93 | 92 | 91 | 89 | 86 |
| 9000 m³/h | Wlot | 63 | 77 | 85 | 84 | 84 | 82 | 80 | 75 |
| | Wylot | 67 | 82 | 87 | 91 | 90 | 88 | 85 | 81 |
| 4000 m³/h | Wlot | 63 | 78 | 83 | 83 | 82 | 79 | 76 | 71 |
| | Wylot | 67 | 82 | 86 | 89 | 88 | 87 | 83 | 78 |

| 020-6 | Hz/dB(A) | 63 | 125 | 250 | 500 | 1000 | 2000 | 4000 | 8000 |
|-----------|----------|----|-----|-----|-----|------|------|------|------|
| 1500 m³/h | Wlot | 43 | 53 | 61 | 58 | 57 | 57 | 56 | 53 |
| | Wylot | 45 | 56 | 61 | 64 | 64 | 63 | 61 | 58 |
| 1000 m³/h | Wlot | 41 | 48 | 57 | 57 | 57 | 56 | 53 | 49 |
| | Wylot | 44 | 54 | 60 | 63 | 62 | 60 | 57 | 53 |
| 600 m³/h | Wlot | 40 | 47 | 56 | 55 | 55 | 52 | 49 | 43 |
| | Wylot | 44 | 54 | 58 | 61 | 61 | 59 | 55 | 50 |

| 040-6 | Hz/dB(A) | 63 | 125 | 250 | 500 | 1000 | 2000 | 4000 | 8000 |
|-----------|----------|----|-----|-----|-----|------|------|------|------|
| 3500 m³/h | Wlot | 47 | 62 | 69 | 68 | 67 | 65 | 64 | 61 |
| | Wylot | 50 | 66 | 70 | 74 | 73 | 72 | 70 | 67 |
| 2500 m³/h | Wlot | 45 | 59 | 67 | 66 | 65 | 64 | 62 | 57 |
| | Wylot | 48 | 63 | 68 | 72 | 71 | 69 | 66 | 62 |
| 1400 m³/h | Wlot | 45 | 59 | 65 | 65 | 63 | 61 | 58 | 52 |
| | Wylot | 49 | 63 | 67 | 70 | 70 | 69 | 65 | 60 |

| 080-6 | Hz/dB(A) | 63 | 125 | 250 | 500 | 1000 | 2000 | 4000 | 8000 |
|-----------|----------|----|-----|-----|-----|------|------|------|------|
| 6100 m³/h | Wlot | 52 | 68 | 75 | 73 | 72 | 71 | 70 | 67 |
| | Wylot | 56 | 71 | 76 | 79 | 79 | 78 | 76 | 73 |
| 4100 m³/h | Wlot | 50 | 64 | 73 | 71 | 71 | 69 | 67 | 62 |
| | Wylot | 54 | 69 | 74 | 78 | 77 | 75 | 72 | 68 |
| 2000 m³/h | Wlot | 50 | 65 | 70 | 70 | 69 | 66 | 63 | 57 |
| | Wylot | 54 | 68 | 73 | 75 | 75 | 74 | 70 | 65 |

| 110-6 | Hz/dB(A) | 63 | 125 | 250 | 500 | 1000 | 2000 | 4000 | 8000 |
|-----------|----------|----|-----|-----|-----|------|------|------|------|
| 1050 m³/h | Wlot | 64 | 73 | 80 | 78 | 77 | 77 | 76 | 73 |
| | Wylot | 67 | 77 | 82 | 85 | 85 | 84 | 82 | 79 |
| 7500 m³/h | Wlot | 61 | 69 | 77 | 76 | 77 | 75 | 73 | 68 |
| | Wylot | 65 | 75 | 80 | 84 | 83 | 81 | 78 | 74 |
| 4000 m³/h | Wlot | 61 | 67 | 76 | 76 | 75 | 72 | 69 | 63 |
| | Wylot | 65 | 74 | 78 | 81 | 81 | 79 | 75 | 70 |

| 195-6 | Hz/dB(A) | 63 | 125 | 250 | 500 | 1000 | 2000 | 4000 | 8000 |
|------------|----------|----|-----|-----|-----|------|------|------|------|
| 20000 m³/h | Wlot | 70 | 79 | 86 | 84 | 83 | 83 | 82 | 79 |
| | Wylot | 73 | 84 | 88 | 92 | 92 | 91 | 89 | 86 |
| 15000 m³/h | Wlot | 68 | 75 | 83 | 83 | 83 | 82 | 79 | 75 |
| | Wylot | 71 | 82 | 87 | 90 | 89 | 87 | 84 | 80 |
| 7500 m³/h | Wlot | 67 | 74 | 82 | 82 | 81 | 79 | 75 | 70 |
| | Wylot | 71 | 80 | 84 | 88 | 88 | 85 | 81 | 76 |

| 080-4 | Hz/dB(A) | 63 | 125 | 250 | 500 | 1000 | 2000 | 4000 | 8000 |
|-----------|----------|----|-----|-----|-----|------|------|------|------|
| 9100 m³/h | Wlot | 62 | 78 | 85 | 83 | 82 | 81 | 80 | 77 |
| | Wylot | 66 | 81 | 86 | 89 | 89 | 88 | 86 | 83 |
| 6000 m³/h | Wlot | 60 | 74 | 83 | 81 | 81 | 79 | 77 | 72 |
| | Wylot | 64 | 79 | 84 | 88 | 87 | 85 | 82 | 78 |
| 2500 m³/h | Wlot | 60 | 75 | 80 | 80 | 79 | 76 | 73 | 67 |
| | Wylot | 64 | 78 | 83 | 85 | 85 | 84 | 80 | 75 |

| 030-6 | Hz/dB(A) | 63 | 125 | 250 | 500 | 1000 | 2000 | 4000 | 8000 |
|-----------|----------|----|-----|-----|-----|------|------|------|------|
| 2000 m³/h | Wlot | 48 | 57 | 65 | 63 | 62 | 62 | 61 | 58 |
| | Wylot | 50 | 61 | 65 | 69 | 69 | 68 | 66 | 63 |
| 1500 m³/h | Wlot | 46 | 53 | 62 | 61 | 62 | 60 | 58 | 53 |
| | Wylot | 49 | 59 | 64 | 68 | 67 | 65 | 62 | 58 |
| 600 m³/h | Wlot | 45 | 51 | 60 | 60 | 59 | 57 | 53 | 48 |
| | Wylot | 49 | 58 | 63 | 66 | 66 | 63 | 59 | 55 |

| 060-6 | Hz/dB(A) | 63 | 125 | 250 | 500 | 1000 | 2000 | 4000 | 8000 |
|-----------|----------|----|-----|-----|-----|------|------|------|------|
| 4200 m³/h | Wlot | 50 | 65 | 72 | 71 | 70 | 68 | 67 | 64 |
| | Wylot | 53 | 69 | 73 | 77 | 76 | 75 | 73 | 70 |
| 3000 m³/h | Wlot | 48 | 62 | 70 | 68 | 68 | 67 | 64 | 60 |
| | Wylot | 51 | 66 | 71 | 75 | 74 | 72 | 69 | 65 |
| 1500 m³/h | Wlot | 47 | 62 | 68 | 68 | 66 | 64 | 60 | 55 |
| | Wylot | 52 | 66 | 70 | 73 | 73 | 72 | 68 | 63 |

| 105-6 | Hz/dB(A) | 63 | 125 | 250 | 500 | 1000 | 2000 | 4000 | 8000 |
|-----------|----------|----|-----|-----|-----|------|------|------|------|
| 8000 m³/h | Wlot | 60 | 69 | 76 | 75 | 74 | 74 | 73 | 70 |
| | Wylot | 63 | 73 | 78 | 82 | 81 | 80 | 78 | 75 |
| 5500 m³/h | Wlot | 58 | 65 | 73 | 73 | 73 | 72 | 70 | 65 |
| | Wylot | 61 | 72 | 77 | 80 | 79 | 77 | 74 | 70 |
| 3000 m³/h | Wlot | 57 | 64 | 72 | 72 | 71 | 69 | 65 | 60 |
| | Wylot | 61 | 66 | 75 | 78 | 78 | 76 | 72 | 67 |

| 140-6 | Hz/dB(A) | 63 | 125 | 250 | 500 | 1000 | 2000 | 4000 | 8000 |
|------------|----------|----|-----|-----|-----|------|------|------|------|
| 15500 m³/h | Wlot | 67 | 76 | 84 | 82 | 81 | 81 | 80 | 77 |
| | Wylot | 70 | 81 | 86 | 89 | 89 | 88 | 86 | 83 |
| 10000 m³/h | Wlot | 65 | 72 | 80 | 80 | 81 | 79 | 77 | 72 |
| | Wylot | 68 | 79 | 84 | 88 | 86 | 84 | 81 | 77 |
| 5500 m³/h | Wlot | 64 | 71 | 79 | 79 | 78 | 76 | 73 | 67 |
| | Wylot | 68 | 78 | 82 | 85 | 85 | 83 | 79 | 74 |

| 250-6 | Hz/dB(A) | 63 | 125 | 250 | 500 | 1000 | 2000 | 4000 | 8000 |
|------------|----------|----|-----|-----|-----|------|------|------|------|
| 25000 m³/h | Wlot | 72 | 81 | 89 | 87 | 86 | 86 | 85 | 82 |
| | Wylot | 76 | 86 | ^H | 94 | 94 | 93 | ^H | 88 |
| 19000 m³/h | Wlot | 70 | 77 | 86 | 85 | 86 | 84 | 82 | 77 |
| | Wylot | 74 | 84 | 89 | 93 | 92 | 90 | 87 | 83 |
| 10000 m³/h | Wlot | ^H | 76 | 85 | 85 | 84 | 81 | 78 | 72 |
| | Wylot | 73 | 83 | 87 | 90 | 90 | 88 | 84 | 79 |

CHARAKTERYSTYKA AKUSTYCZNA

| 060-8 | Hz/dB(A) | 63 | 125 | 250 | 500 | 1000 | 2000 | 4000 | 8000 |
|-----------|----------|----|-----|-----|-----|------|------|------|------|
| 3000 m³/h | Wlot | 49 | 59 | 60 | 61 | 61 | 61 | 60 | 57 |
| | Wylot | 52 | 60 | 64 | 68 | 67 | 67 | 65 | 62 |
| 2000 m³/h | Wlot | 46 | 57 | 58 | 60 | 60 | 59 | 56 | 52 |
| | Wylot | 50 | 59 | 64 | 67 | 65 | 63 | 60 | 56 |
| 1000 m³/h | Wlot | 47 | 55 | 58 | 58 | 58 | 55 | 52 | 46 |
| | Wylot | 50 | 57 | 61 | 65 | 64 | 62 | 58 | 53 |

| 105-8 | Hz/dB(A) | 63 | 125 | 250 | 500 | 1000 | 2000 | 4000 | 8000 |
|-----------|----------|----|-----|-----|-----|------|------|------|------|
| 5500 m³/h | Wlot | 53 | 62 | 69 | 68 | 67 | 67 | 66 | 63 |
| | Wylot | 56 | 66 | 71 | 75 | 74 | 73 | 71 | 68 |
| 4000 m³/h | Wlot | 51 | 58 | 66 | 66 | 66 | 65 | 63 | 58 |
| | Wylot | 54 | 65 | 70 | 73 | 72 | 70 | 67 | 63 |
| 2000 m³/h | Wlot | 50 | 57 | 65 | 65 | 64 | 62 | 58 | 53 |
| | Wylot | 54 | 64 | 68 | 71 | 71 | 68 | 65 | 60 |

| 140-8 | Hz/dB(A) | 63 | 125 | 250 | 500 | 1000 | 2000 | 4000 | 8000 |
|------------|----------|----|-----|-----|-----|------|------|------|------|
| 15000 m³/h | Wlot | 62 | 71 | 73 | 74 | 74 | 74 | 73 | 70 |
| | Wylot | 65 | 73 | 78 | 81 | 81 | 80 | 78 | 75 |
| 8000 m³/h | Wlot | 59 | 69 | 71 | 73 | 73 | 72 | 69 | 65 |
| | Wylot | 64 | 72 | 77 | 80 | 79 | 77 | 74 | 70 |
| 4000 m³/h | Wlot | 60 | 67 | 71 | 71 | 71 | 68 | 65 | 59 |
| | Wylot | 63 | 70 | 74 | 78 | 78 | 75 | 71 | 66 |

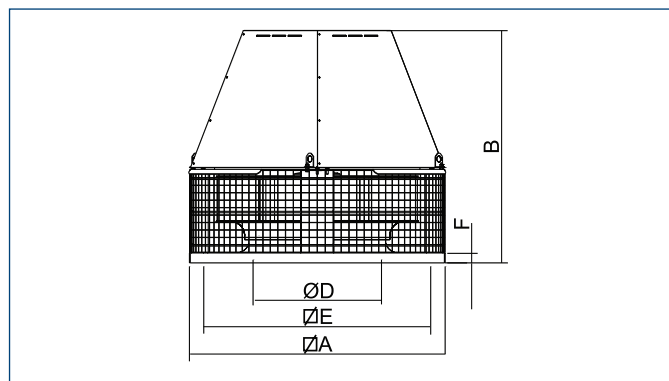
| 250-8 | Hz/dB(A) | 63 | 125 | 250 | 500 | 1000 | 2000 | 4000 | 8000 |
|------------|----------|----|-----|-----|-----|------|------|------|------|
| 19000 m³/h | Wlot | 65 | 74 | 82 | 80 | 79 | 79 | 78 | 75 |
| | Wylot | 69 | 79 | 84 | 87 | 87 | 86 | 84 | 81 |
| 14000 m³/h | Wlot | 63 | 70 | 79 | 78 | 79 | 77 | 75 | 70 |
| | Wylot | 67 | 77 | 82 | 86 | 85 | 83 | 80 | 76 |
| 6000 m³/h | Wlot | 63 | 70 | 79 | 78 | 79 | 77 | 75 | 70 |
| | Wylot | 66 | 75 | 80 | 83 | 83 | 81 | 77 | 72 |

| 080-8 | Hz/dB(A) | 63 | 125 | 250 | 500 | 1000 | 2000 | 4000 | 8000 |
|-----------|----------|----|-----|-----|-----|------|------|------|------|
| 4000 m³/h | Wlot | 53 | 62 | 64 | 65 | 65 | 65 | 64 | 61 |
| | Wylot | 56 | 63 | 68 | 71 | 71 | 70 | 68 | 65 |
| 3000 m³/h | Wlot | 50 | 60 | 62 | 63 | 64 | 62 | 60 | 55 |
| | Wylot | 54 | 62 | 67 | 70 | 69 | 67 | 64 | 60 |
| 1800 m³/h | Wlot | 51 | 58 | 62 | 62 | 61 | 59 | 55 | 50 |
| | Wylot | 53 | 61 | 65 | 68 | 68 | 65 | 61 | 56 |

| 110-8 | Hz/dB(A) | 63 | 125 | 250 | 500 | 1000 | 2000 | 4000 | 8000 |
|-----------|----------|----|-----|-----|-----|------|------|------|------|
| 7500 m³/h | Wlot | 59 | 68 | 70 | 70 | 71 | 71 | 70 | 66 |
| | Wylot | 62 | 70 | 74 | 78 | 77 | 76 | 74 | 71 |
| 5000 m³/h | Wlot | 55 | 66 | 68 | 69 | 69 | 68 | 66 | 61 |
| | Wylot | 60 | 68 | 73 | 76 | 75 | 73 | 70 | 66 |
| 3000 m³/h | Wlot | 57 | 64 | 68 | 68 | 67 | 65 | 61 | 56 |
| | Wylot | 59 | 67 | 71 | 74 | 74 | 71 | 67 | 62 |

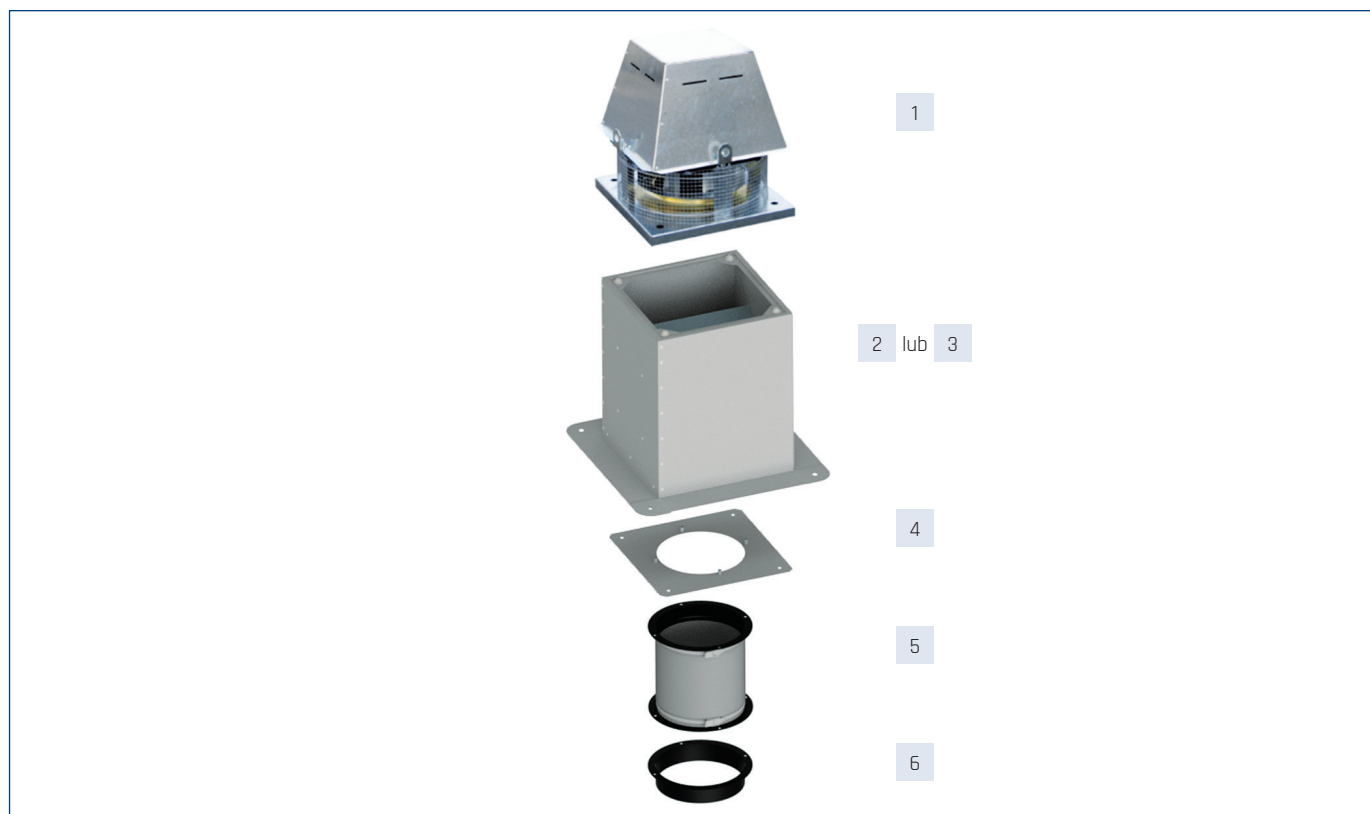
| 195-8 | Hz/dB(A) | 63 | 125 | 250 | 500 | 1000 | 2000 | 4000 | 8000 |
|------------|----------|----|-----|-----|-----|------|------|------|------|
| 15000 m³/h | Wlot | 65 | 74 | 76 | 76 | 77 | 77 | 76 | 73 |
| | Wylot | 68 | 76 | 81 | 84 | 84 | 83 | 81 | 78 |
| 11000 m³/h | Wlot | 62 | 72 | 74 | 75 | 76 | 74 | 72 | 67 |
| | Wylot | 66 | 75 | 80 | 83 | 82 | 80 | 77 | 73 |
| 6000 m³/h | Wlot | 63 | 70 | 74 | 74 | 73 | 71 | 68 | 62 |
| | Wylot | 66 | 73 | 77 | 81 | 80 | 77 | 73 | 69 |

WYMIARY [mm]



| Typ | A | B | D | E | F |
|--------------|------|-----|-----|-----|----|
| TCDH Exd 010 | 430 | 405 | 181 | 344 | 30 |
| TCDH Exd 020 | 430 | 430 | 217 | 344 | 30 |
| TCDH Exd 030 | 540 | 539 | 256 | 450 | 30 |
| TCDH Exd 040 | 540 | 562 | 294 | 450 | 30 |
| TCDH Exd 060 | 660 | 650 | 326 | 570 | 30 |
| TCDH Exd 080 | 660 | 662 | 362 | 570 | 30 |
| TCDH Exd 105 | 800 | 726 | 399 | 668 | 30 |
| TCDH Exd 110 | 800 | 759 | 444 | 668 | 30 |
| TCDH Exd 140 | 946 | 876 | 490 | 830 | 30 |
| TCDH Exd 195 | 946 | 900 | 537 | 830 | 30 |
| TCDH Exd 250 | 1030 | 940 | 581 | 830 | 40 |

AKCESORIA MONTAŻOWE



| 1 | 2 | 3 | 4 | 5 | 6 |
|--------------|------------------|---------------------------|-------------|-------------------------|---------|
| Wentylator | podstawa dachowa | podstawa dachowa tłumiąca | złącze | złącze przeciwdrganiowe | króciec |
| | RS | RSA | P | ELV-PL | K |
| TCDH Exd 010 | RS 435 TCDH | RSA 435 TCDH | P 435 TCDH | ELV-PL 435 | K 435 |
| TCDH Exd 020 | RS 435 TCDH | RSA 435 TCDH | P 435 TCDH | ELV-PL 435 | K 435 |
| TCDH Exd 030 | RS 560 TCDH | RSA 560 TCDH | P 560 TCDH | ELV-PL 560 | K 560 |
| TCDH Exd 040 | RS 560 TCDH | RSA 560 TCDH | P 560 TCDH | ELV-PL 560 | K 560 |
| TCDH Exd 060 | RS 710 TCDH | RSA 710 TCDH | P 710 TCDH | ELV-PL 710 | K 710 |
| TCDH Exd 080 | RS 710 TCDH | RSA 710 TCDH | P 710 TCDH | ELV-PL 710 | K 710 |
| TCDH Exd 105 | RS 800 TCDH | RSA 800 TCDH | P 800 TCDH | ELV-PL 710 | K 710 |
| TCDH Exd 110 | RS 800 TCDH | RSA 800 TCDH | P 800 TCDH | ELV-PL 710 | K 710 |
| TCDH Exd 140 | RS 1100 TCDH | RSA 1100 TCDH | P 1100 TCDH | ELV-PL 1100 | K 1100 |
| TCDH Exd 195 | RS 1100 TCDH | RSA 1100 TCDH | P 1100 TCDH | ELV-PL 1100 | K 1100 |
| TCDH Exd 250 | RS 1100 TCDH | RSA 1100 TCDH | P 1100 TCDH | ELV-PL 1100 | K 1100 |

Numery artykułów

| | | | | | | | | | |
|--------------|-------------|--------------|-------------|--------------|-------------|--------------|-------------|---------------|-------------|
| RS 435 TCDH | 43526020-30 | RS 560 TCDH | 43526030-30 | RS 710 TCDH | 43526050-10 | RS 800 TCDH | 43526055 | RS 1100 TCDH | 43526070-40 |
| RSA 435 TCDH | 43526120-50 | RSA 560 TCDH | 43526130-40 | RSA 710 TCDH | 43526150-40 | RSA 800 TCDH | 43526155-10 | RSA 1100 TCDH | 43526170-10 |
| P 435 TCDH | 43526300-10 | P 560 TCDH | 43526320-10 | P 710 TCDH | 43526340-10 | P 800 TCDH | 43526345 | P 1100 TCDH | 43526360-10 |
| ELV-PL 435 | 43527415 | ELV-PL 560 | 43527425 | ELV-PL 710 | 43527445 | ELV-PL 1100 | 43527465 | K 435 | 43526410 |
| K 560 | 43526420 | K 710 | 43526440 | K 1100 | 43526460 | | | | |

